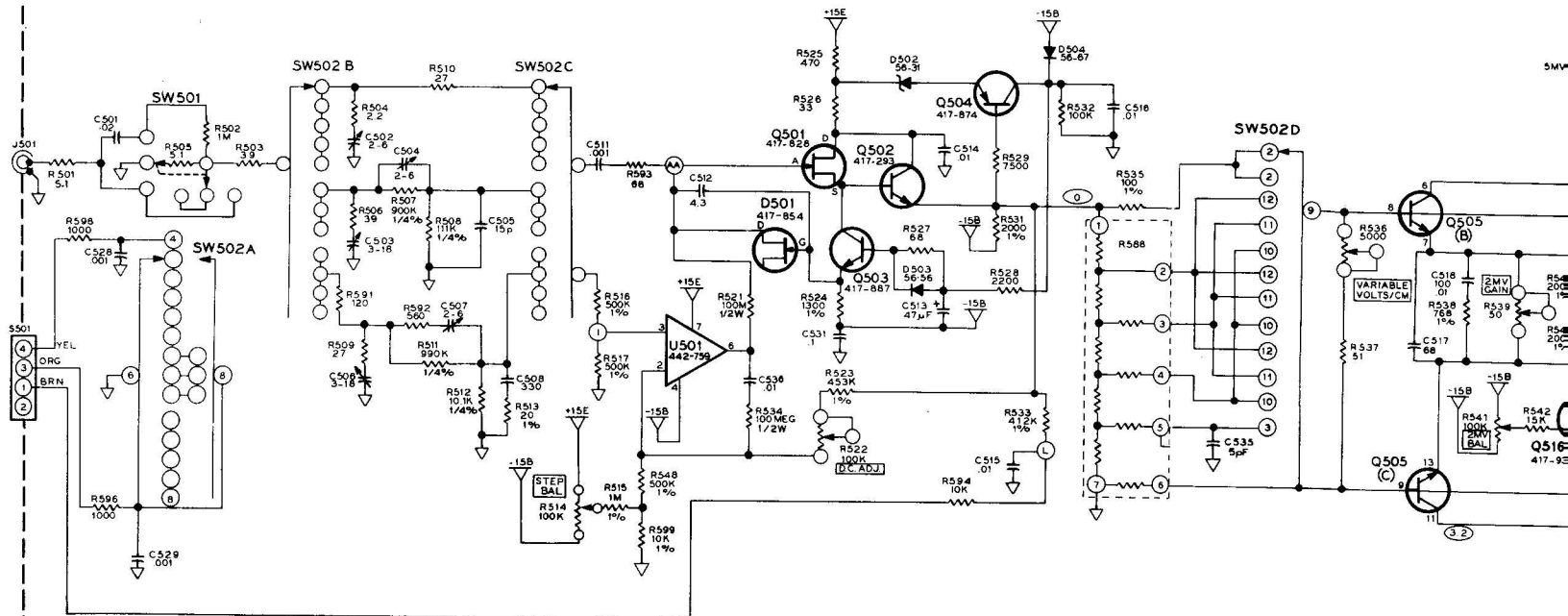
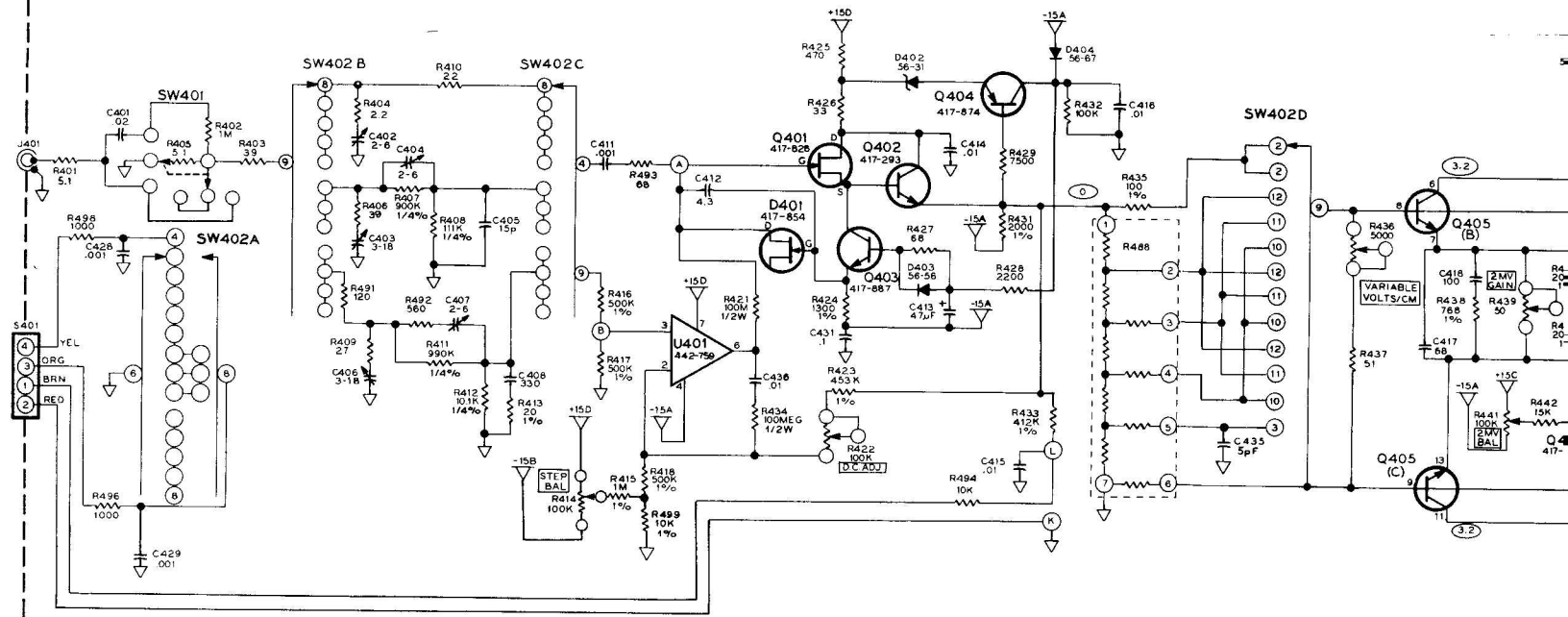
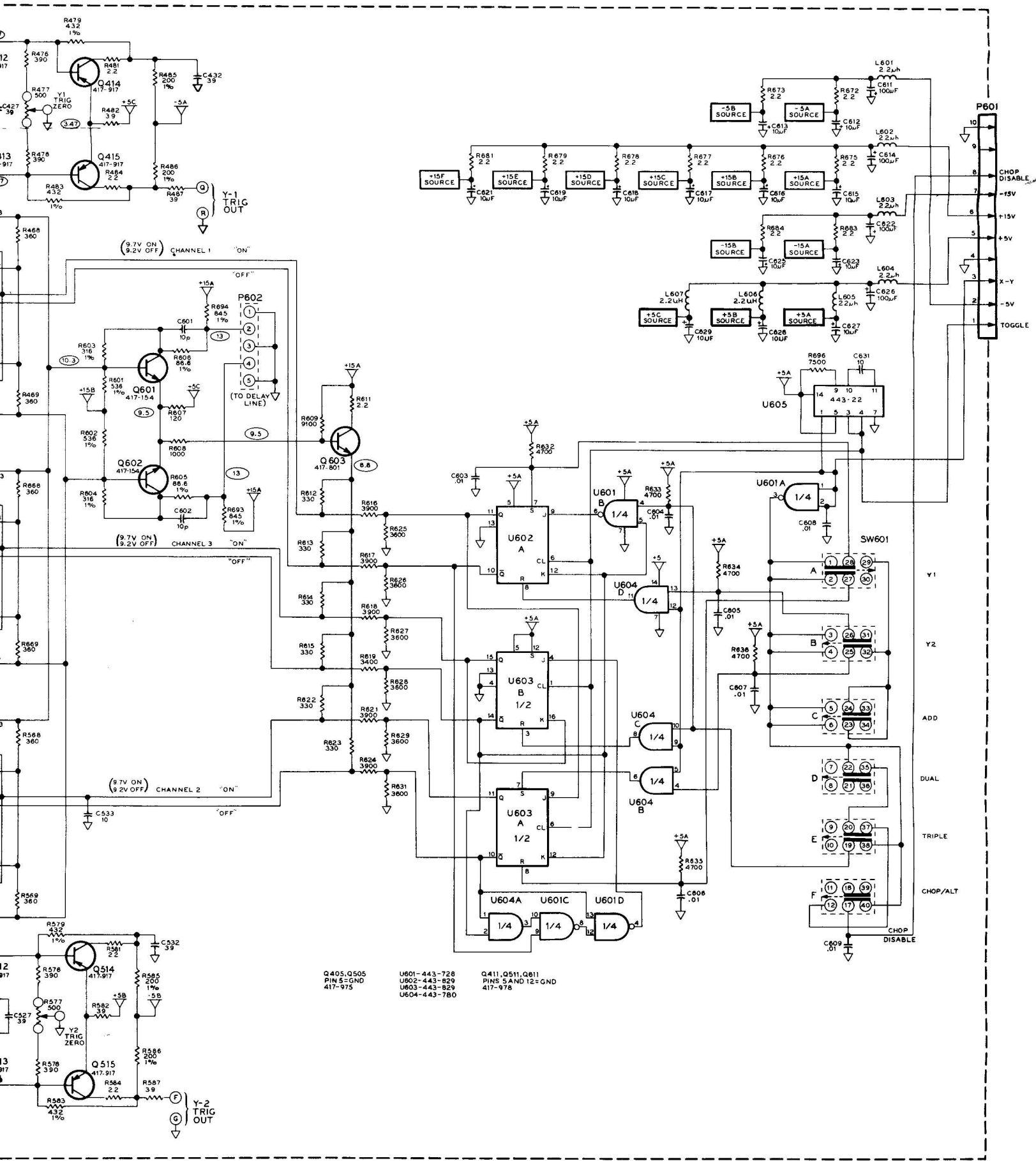


VERTICAL PREAMP CIRCUIT BOARD





Q405, Q505
PIN 5=GND
417-975

U601-443-728
U602-443-829
U603-443-829
U604-443-780

Q411, Q511, Q611
PINS 5 AND 12=GND
417-976